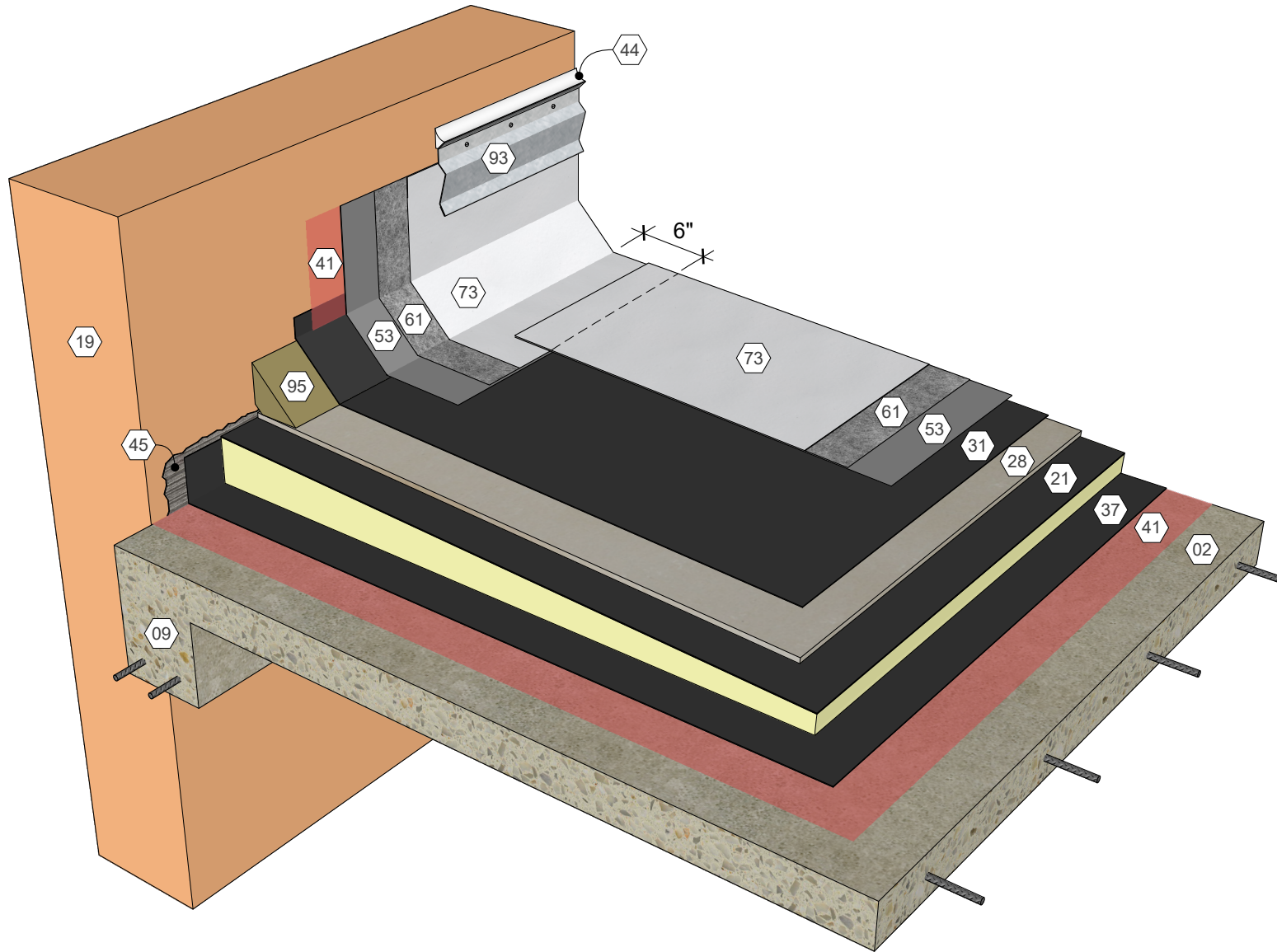


KEY NOTES

- 01 Metal Deck
- 09 Roof Structure
- 19 Wall Assembly
- 22 Polyisocyanurate Insulation (Fastened or Adhered)
- 27 Substrate Board (Fastened)
- 28 Cover Board (Adhered)
- 31 Approved Base Ply Sheet
- 37 Approved Base Sheet (Adhered)
- 41 Approved Primer
- 44 Approved Sealant, Optional
- 45 Roofing Mastic
- 53 AlphaGuard PUMA Base Coat
- 61 AlphaGuard Glass Mat or Permafab
- 73 AlphaGuard PUMA Top Coat
- 93 Counterflashing, Optional
- 95 Cant Strip

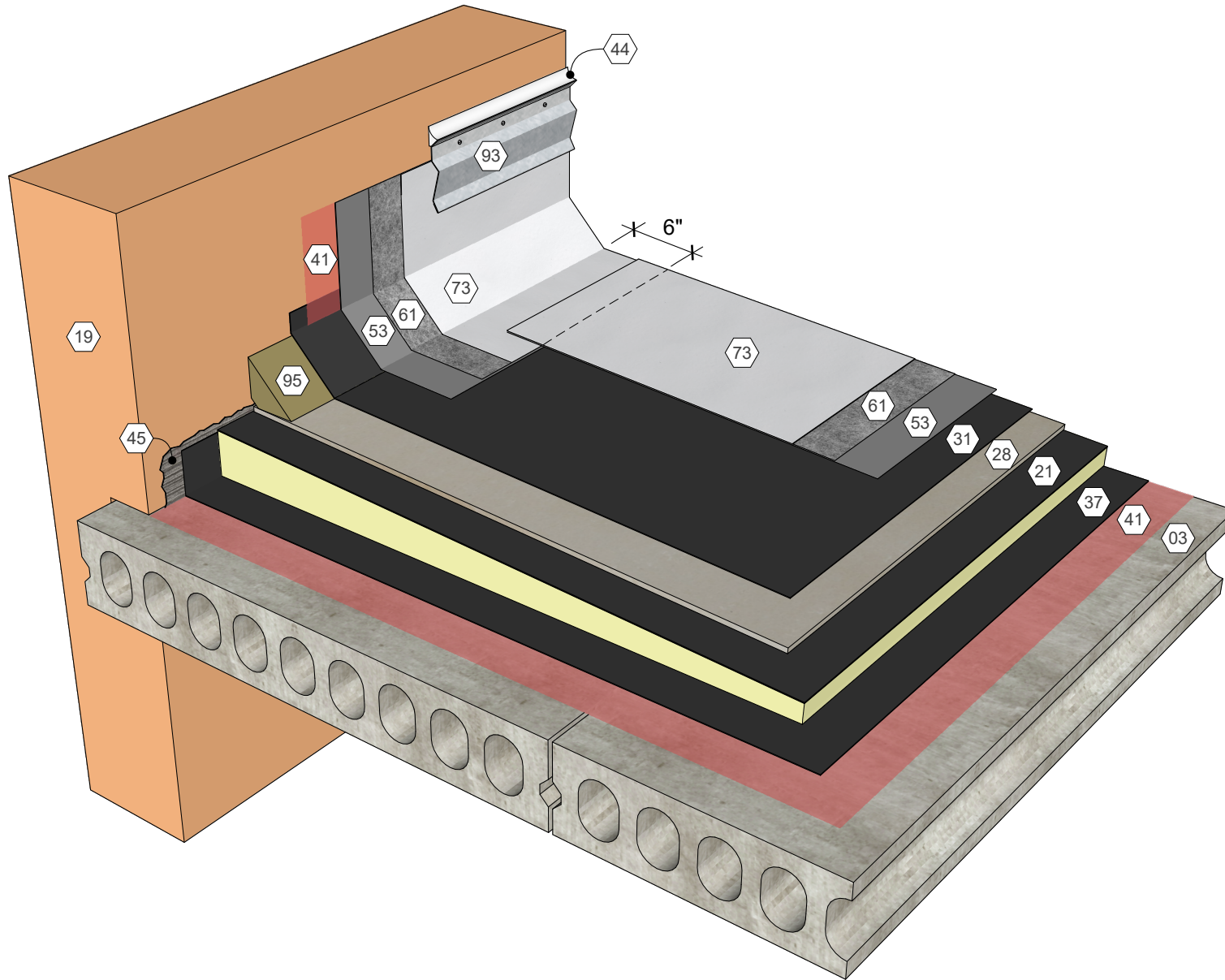
AlphaGuard® PUMA Plus Parapet Wall, Temp. Roof, Metal Deck
Detail 34051



KEY NOTES

- 02 Structural Concrete Deck
- 09 Roof Structure
- 19 Wall Assembly
- 21 Polyisocyanurate Insulation (Adhered)
- 28 Cover Board (Adhered)
- 31 Approved Base Ply Sheet
- 37 Approved Base Sheet (Adhered)
- 41 Approved Primer
- 44 Approved Sealant, Optional
- 45 Roofing Mastic
- 53 AlphaGuard PUMA Base Coat
- 61 AlphaGuard Glass Mat or Permafab
- 73 AlphaGuard PUMA Top Coat
- 93 Counterflashing, Optional
- 95 Cant Strip

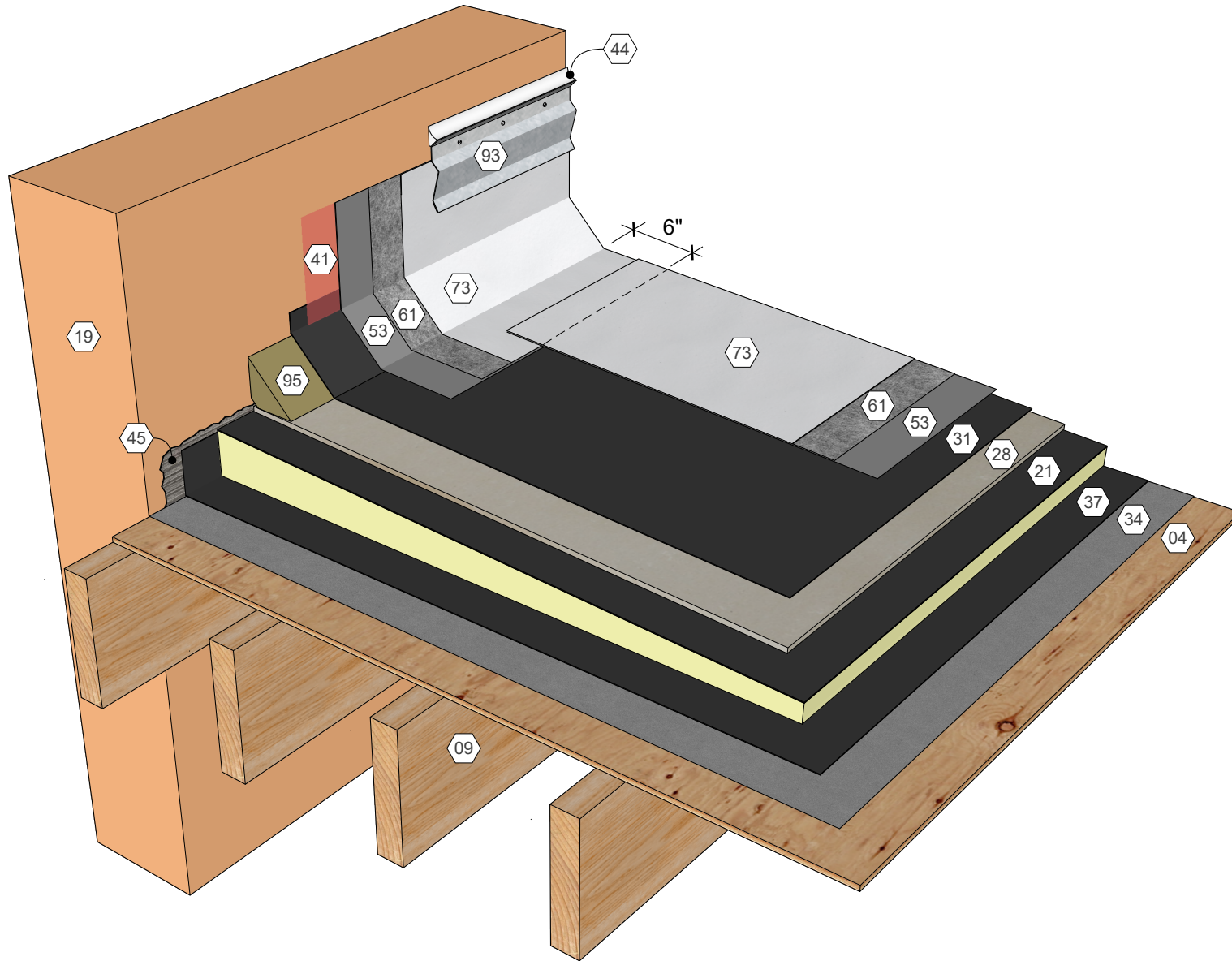
AlphaGuard® PUMA Plus Parapet Wall, Temp. Roof, Structural Concrete Deck
Detail 34052



KEY NOTES

- 03 Precast Concrete Deck
- 19 Wall Assembly
- 21 Polyisocyanurate Insulation (Adhered)
- 28 Cover Board (Adhered)
- 31 Approved Base Ply Sheet
- 37 Approved Base Sheet (Adhered)
- 41 Approved Primer
- 44 Approved Sealant, Optional
- 45 Roofing Mastic
- 53 AlphaGuard PUMA Base Coat
- 61 AlphaGuard Glass Mat or Permafab
- 73 AlphaGuard PUMA Top Coat
- 93 Counterflashing, Optional
- 95 Cant Strip

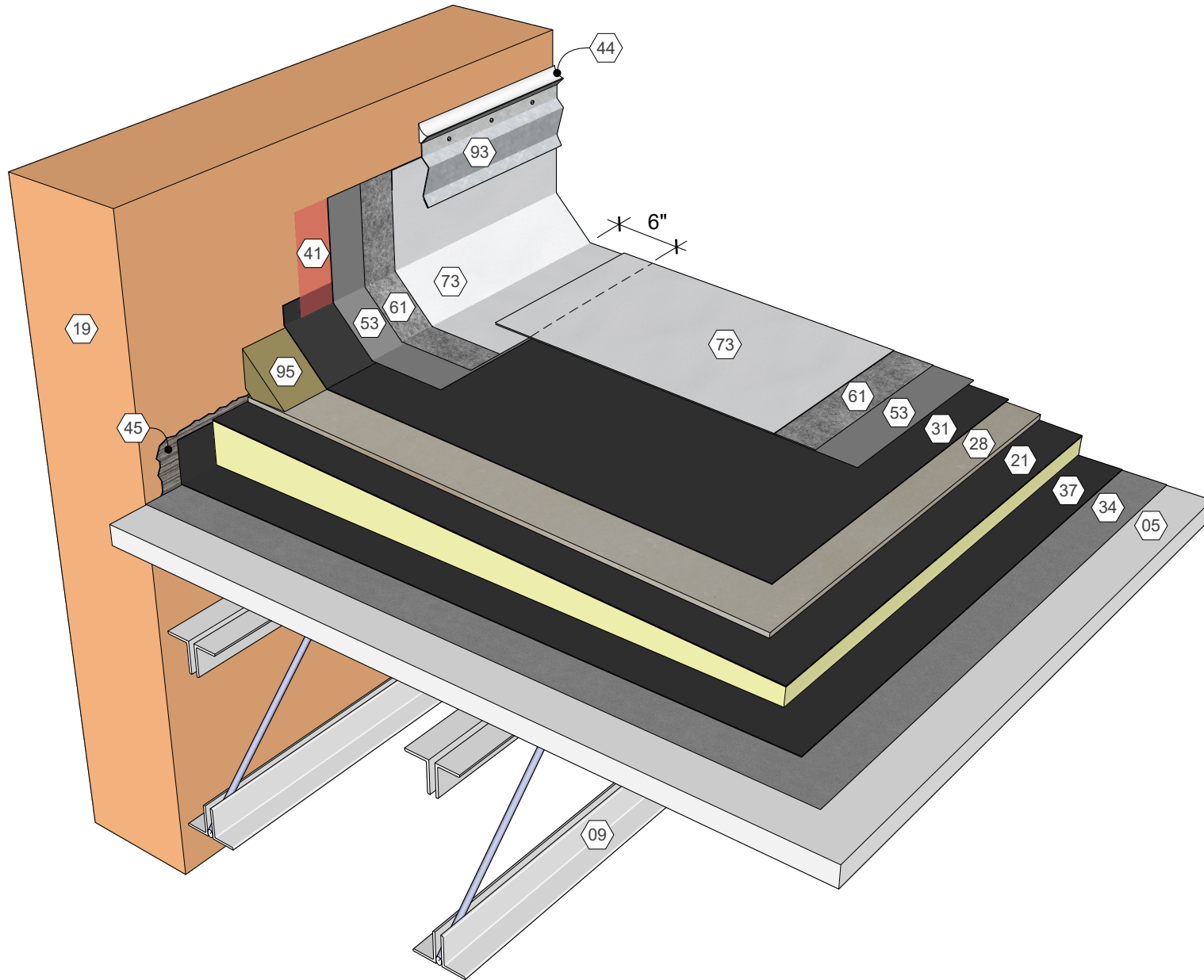
AlphaGuard® PUMA Plus Parapet Wall, Temp. Roof, Precast Concrete Deck
Detail 34053



KEY NOTES

- 04 Wood Deck
- 09 Roof Structure
- 19 Wall Assembly
- 21 Polyisocyanurate Insulation (Adhered)
- 28 Cover Board (Adhered)
- 31 Approved Base Ply Sheet
- 34 Base Sheet (Fastened)
- 37 Approved Base Sheet (Adhered)
- 41 Approved Primer
- 44 Approved Sealant, Optional
- 45 Roofing Mastic
- 53 AlphaGuard PUMA Base Coat
- 61 AlphaGuard Glass Mat or Permafab
- 73 AlphaGuard PUMA Top Coat
- 93 Counterflashing, Optional
- 95 Cant Strip

AlphaGuard® PUMA Plus Parapet Wall, Temp. Roof,, Wood Deck
Detail 34054



KEY NOTES

- 05 Gypsum Deck
- 09 Roof Structure
- 19 Wall Assembly
- 21 Polyisocyanurate Insulation (Adhered)
- 28 Cover Board (Adhered)
- 31 Approved Base Ply Sheet
- 34 Base Sheet (Fastened)
- 37 Approved Base Sheet (Adhered)
- 41 Approved Primer
- 44 Approved Sealant, Optional
- 45 Roofing Mastic
- 53 AlphaGuard PUMA Base Coat
- 61 AlphaGuard Glass Mat or Permafab
- 73 AlphaGuard PUMA Top Coat
- 93 Counterflashing, Optional
- 95 Cant Strip

AlphaGuard® PUMA Plus Parapet Wall, Temp. Roof, Gypsum Deck
 Detail 34055